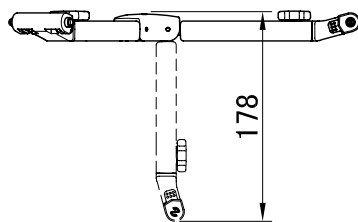
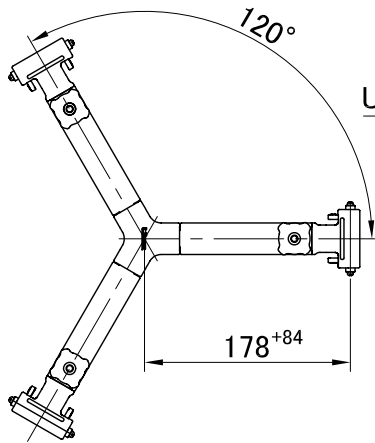


System	RT50C ( Tripod ) + BR-6B ( Mid-level spreader ) + FP-2B ( Large rubber feet )		
Payload	35 kg / 77 lb	Ball diameter	∅100 mm
Weight	3.5 kg / 7.7 lb	Section	2STAGE
Height	① H : 1560 mm W : 900 mm ( ※Reference )	Tripod fixation	Fixing lock knob
	② H : 675 mm W : 670 mm ( " )	Spreader	BR-6B
Folded length	③ L : 740 mm ( " )	Material	Carbon pipe, Aluminum alloy, Engineering plastic

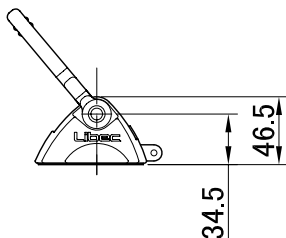
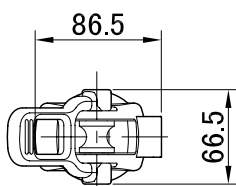
### Remarks

#### ■ Exterior Dimensions (mm)

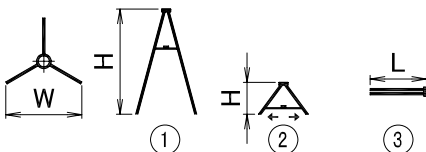
#### ■ BR-6B



#### ■ FP-2B



※: Reference



Upper lock knob

