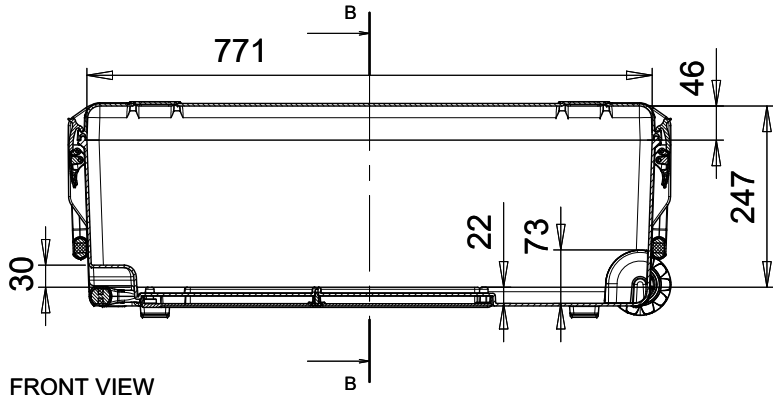
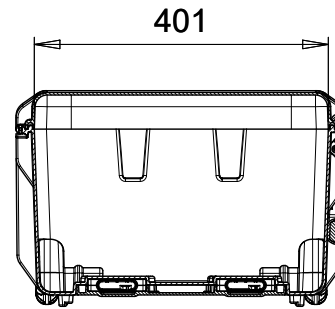


SEZ A-A

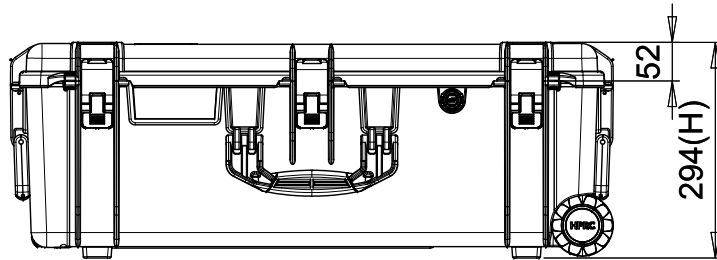


FRONT VIEW

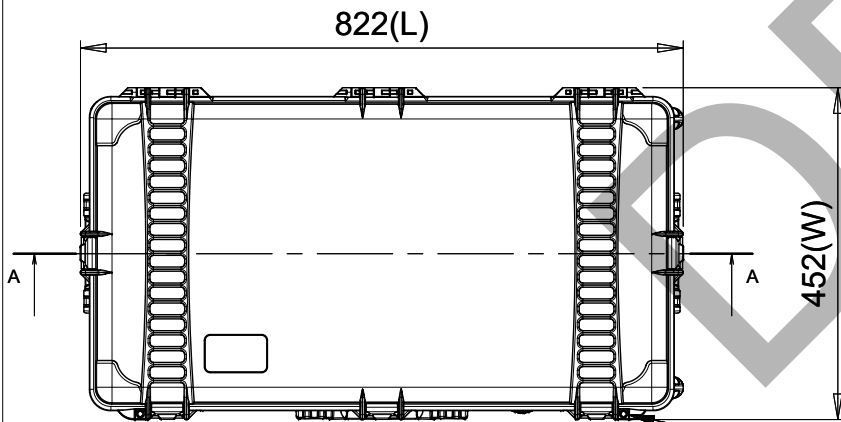
SEZ B-B



RIGHT SIDE VIEW



TOP VIEW



PADLOCKABLE

Plaber S.r.l reserves the right to modify its products at any time and without notice ,
in order to better their quality and functionality.
Therefore, all the information given in this datasheet is to be considered indicative
and subject to possible modifications.

Model No.	HPRC 2745W
Case Weight (lbs. Empty)	7.1 Kg (15.7 lbs)
Interior Length	771.0 mm (30.35 in)
Interior Width	401.0 mm (15.78 in)
Interior Height (overall)	247.0 mm (9.72 in)
Interior LidHeight	46.00 mm (1.81 in)
Exterior Length L	822.0 mm (32.36 in)
Exterior Width (W)	452.0 mm (17.79 in)
Exterior Height (H)	294.0 mm (11.57 in)
Exterior Lid Heigh	52.0 mm (2.04 in)
Buoyancy	63 Kg (139 lbs)



Rev. 01

HIGH PERFORMANCE
RESIN CASES

HPRC

Plaber S.r.l - Via divisione tridentina, 10
I-36061 Bassano del grappa
Vicenza - Italy
Tel. +39 0424 809150
Fax +39 0424 808548
<http://info@hprc.it>
www.hprc.it
Skype: HPRC_helpdesk
VAT: IT03312270246

Scala : 1:10

Model No: HPRC2745W